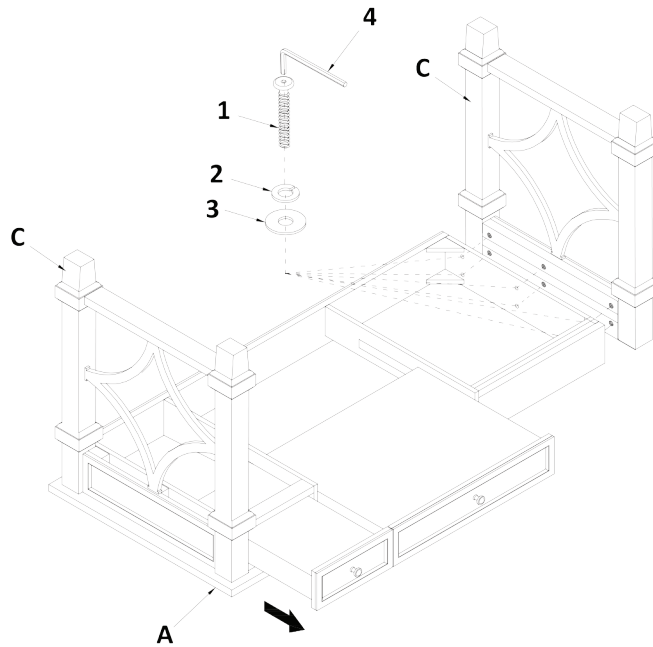


N0:	Parts List	Q'TY
A	Top	1 PC
B	Return top	1 PC
C	Leg frame	2 PCS
D	Return leg frame	1 PCS

N0:	Parts List	Q'TY
1	Bolt (1/4"*30mm)	21 PCS
2	Spring washer	21 PCS
3	Flat washer	21 PCS
4	Allen wrench	2 PC

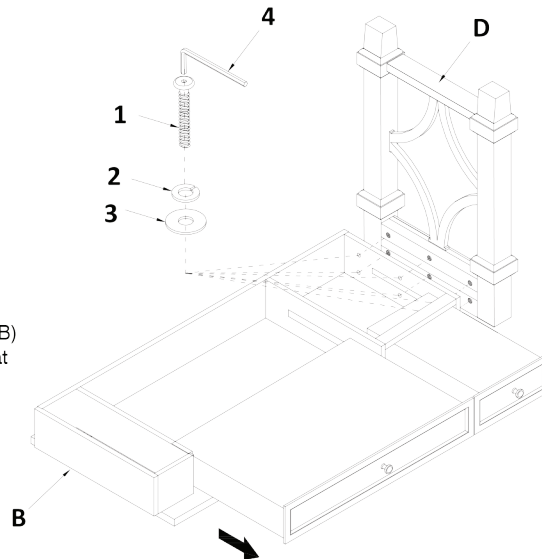
Caution: Please read all instructions before assembly and check the carton for any parts that may have come loose during shipment. It is recommended to **use two or more people during the assembly process.**



**1**  
Turn the top (A) and return top (B) upside down in smooth and clean surface, drawers in up direction when turning the top (A) to avoid from falling.

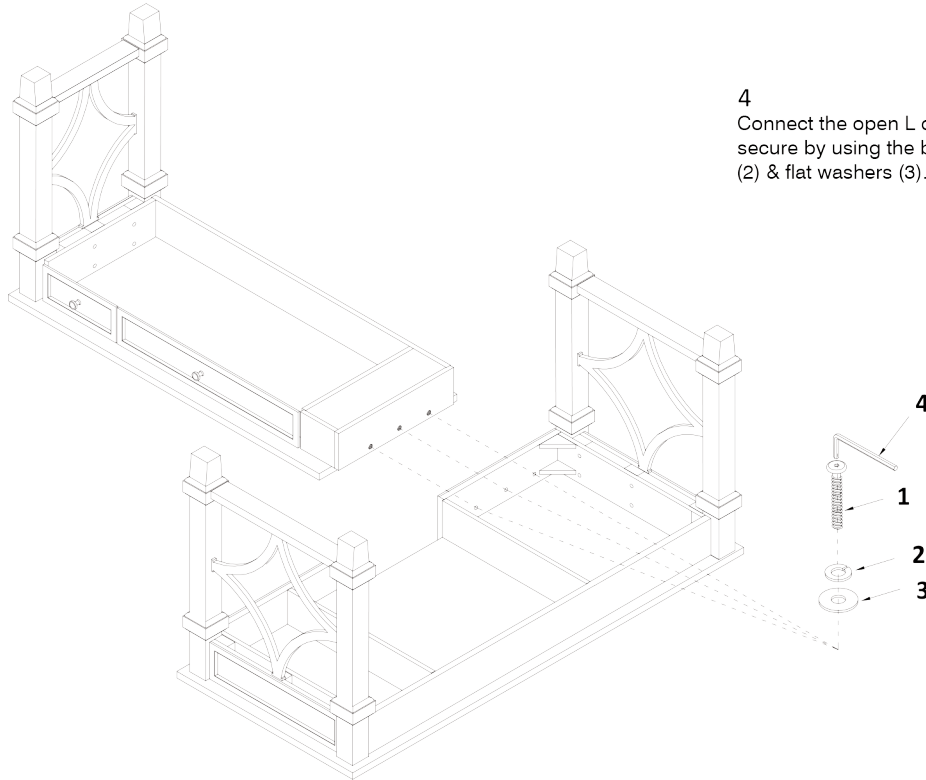
**2**  
Pull the drawers in pull length, Attach the leg frame (C) to each side of the top (A) by using bolts (1), spring washers (2) & flat washers (3) as shown.

**3**  
Assemble the return leg frame (D) to the top (B) by using the bolts (1), spring washers (2) & flat washers (3) as shown.



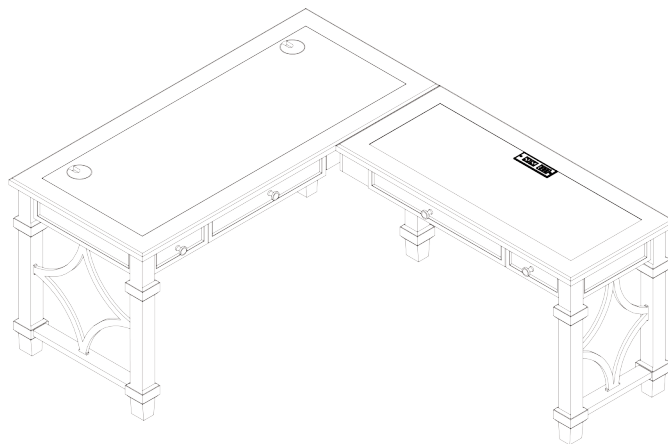
### CARING FOR YOUR FURNITURE

- Use a soft, clean cloth that will not scratch the surface when dusting.
- Use of furniture polishes are not necessary. Should you choose to use polishes, test in an inconspicuous area first.
- Using solvents of any kind on your furniture may damage your furniture finish.
- Never use water to clean your furniture as it may cause damage to the finish.
- Always use coasters under beverage glasses and flowerpots.
- Liquid spills should be removed immediately. Use a soft, clean cloth, blot the spill gently. Avoid rubbing.
- Direct sunlight may damage wood finishes.
- Extreme temperature and humidity changes can cause warping, shrinking and splitting of wood furniture. It is best to keep furniture in a climate controlled environment.
- Always use protective pads under hot dishes and plates. Heat can cause chemical changes that may create spotting within the furniture finish.
- In the event that your furniture is stained or otherwise damaged during use, we recommend that you call a professional to repair your furniture.



4  
Connect the open L desk to the return and secure by using the bolts (1), spring washers (2) & flat washers (3).

5  
Turn the completed return desk upright.



### CARING FOR YOUR FURNITURE

- Use a soft, clean cloth that will not scratch the surface when dusting.
- Use of furniture polishes are not necessary. Should you choose to use polishes, test in an inconspicuous area first.
- Using solvents of any kind on your furniture may damage your furniture finish.
- Never use water to clean your furniture as it may cause damage to the finish.
- Always use coasters under beverage glasses and flowerpots.
- Liquid spills should be removed immediately. Use a soft, clean cloth, blot the spill gently. Avoid rubbing.
- Direct sunlight may damage wood finishes.
- Extreme temperature and humidity changes can cause warping, shrinking and splitting of wood furniture. It is best to keep furniture in a climate controlled environment.
- Always use protective pads under hot dishes and plates. Heat can cause chemical changes that may create spotting within the furniture finish.
- In the event that your furniture is stained or otherwise damaged during use, we recommend that you call a professional to repair your furniture.